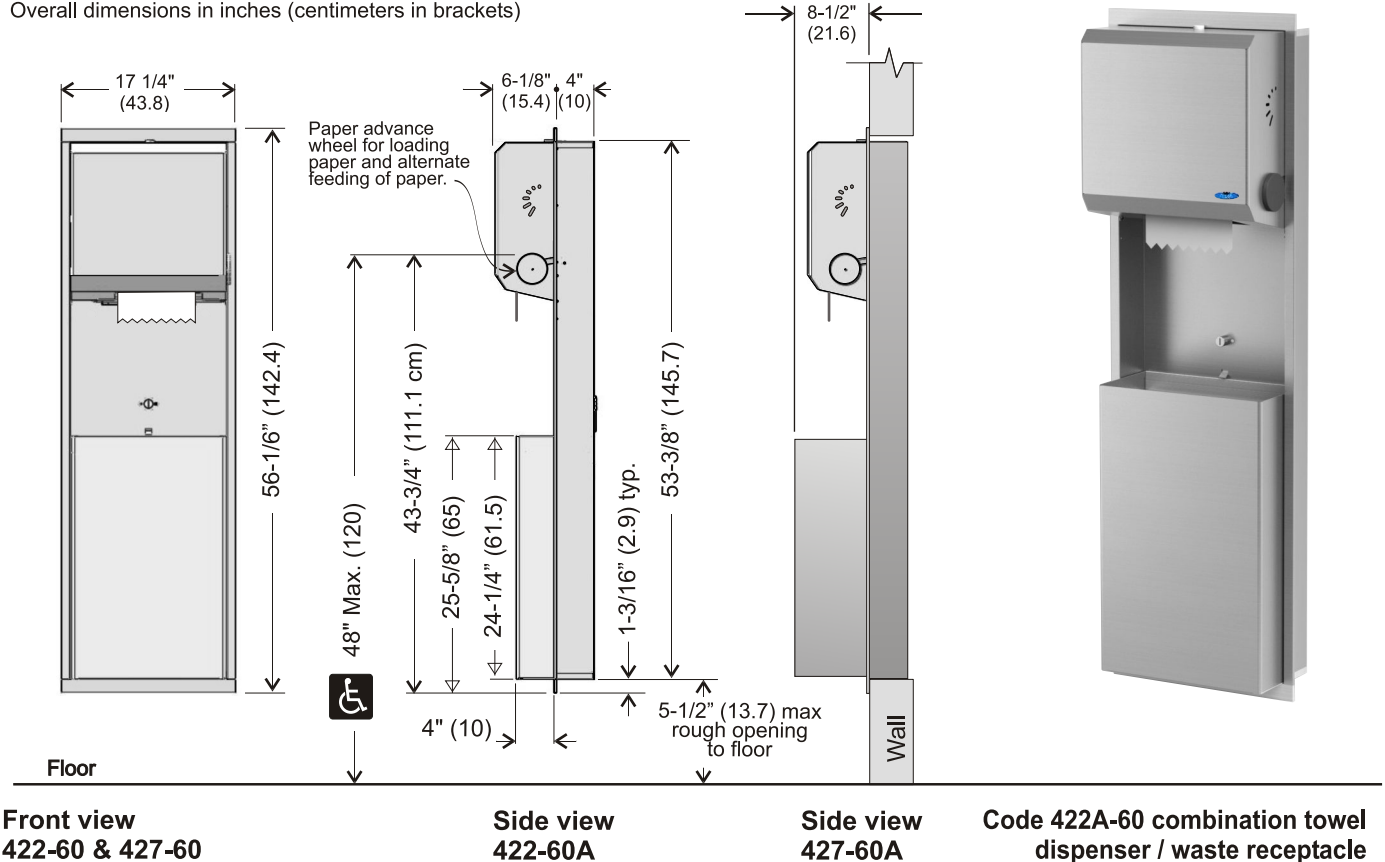




Combination Touch Free Towel Dispenser / Waste Receptacle

- Code 422-60A:** Stainless steel type 304, Recessed 4"
- Code 422-60C:** Stainless steel type 304, Surface Mounted
- Code 427-60A:** Stainless steel type 304, Recessed 4" (comes with large waste receptacle)
- Code 427-60C:** Stainless steel type 304, Surface Mounted (comes with large waste receptacle)

Overall dimensions in inches (centimeters in brackets)



Specifications

- Site location:**
 - Semi recessed combination dispenser / waste receptacle can be mounted into any wall configuration requiring a minimum depth of 4".
- Touch Free:**
 - When pulling on the exposed length of towel the touch free dispenser will automatically cut an 11" (27cm) length, leaving a 3" length of towel to grab onto for the next dispensing action.
 - Hands free dispenser reduces paper flow, and provides maximum hygiene.
 - Designed to dispense jumbo roll towels max. 8" diameter.
- Materials:**
 - All stainless welded construction with locking removable waste bin.
 - Semi recessed design provides large capacity receptacle with minimum space.
 - Code 427 provides extra large waste capacity.
 - Waste receptacle is completely removable for convenient maintenance.
 - Comes with standard bag holder apparatus.
- Capacity:**
 - Recessed wall body and waste container are 22 gauge stainless steel type 430 No. 4 finish.
 - Code 422-60: 11 gal. (50 litres), shipping weight: 50 lbs. (22.6 kg.)
 - Code 427-60: 15 gal. (68 litres), shipping weight: 59 lbs. (26.6 kg.)
- Installation:**
 - Provide wall opening 54-1/2" (138.9) H x 16" (40.6) W x 4" (10.2) D. Mount recessed frame first (drill holes as required), then insert waste bin using bracket provided. For barrier free mounting insure that bottom of rough opening does not exceed 5-1/2" (13.7 cm) above floor level.

