



Toilet Seat Cover Dispensers

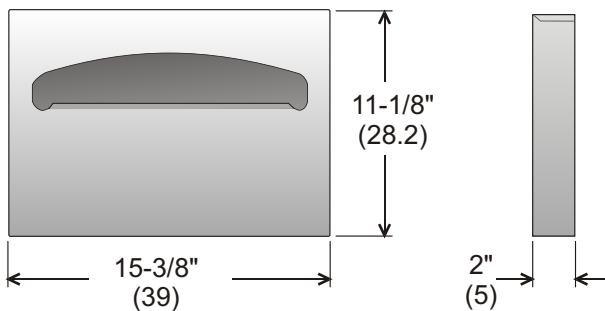
- Code 199-S:** Surface mounted, stainless steel
- Code 199-W:** Surface mounted, white finish
- Code 199-R:** Recessed, stainless steel

Code 199-2500: Rest Assured half fold seat covers, green seal. Packed 2,500/case (10 sleeves of 250)

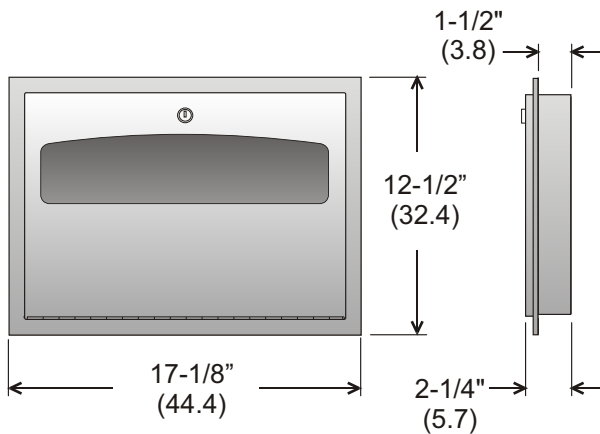


Code 199-2500

Overall dimensions in inches, (centimeters in brackets).



Code 199, side / front view



Code 199-R side / front view



Code 199-S



Code 199-W



Code 199-R

- Features 199:**
- Economical toilet seat cover dispenser comes in two finishes to suit both institutional and commercial applications. All welded construction of 22 gauge crs and stainless steel. Will accept all standard half fold toilet seat covers. One piece formed body of 22 gauge steel. Shipping Weight: 3 lb. (1.5 kg)
- Code 199R:**
- Door secured with keyed tumbler lock. All stainless steel construction of 22 gauge type 304 no. 4 brushed finish. Full length stainless steel piano hinge on door. One piece frame on recessed unit with rigid 1/4" return on sides. Shipping weight: 6 lbs. (2.8 kg)
- Installation:**
- For unrestricted access, top of unit to floor does not exceed 48" (120). For recessed units provide rough opening: 16" W (40.6) x 11-1/8" H(28.2) x 1-5/8" D(4.1).